

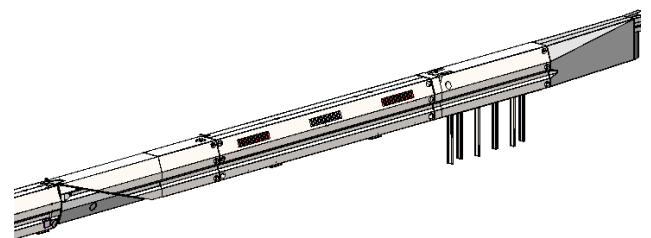
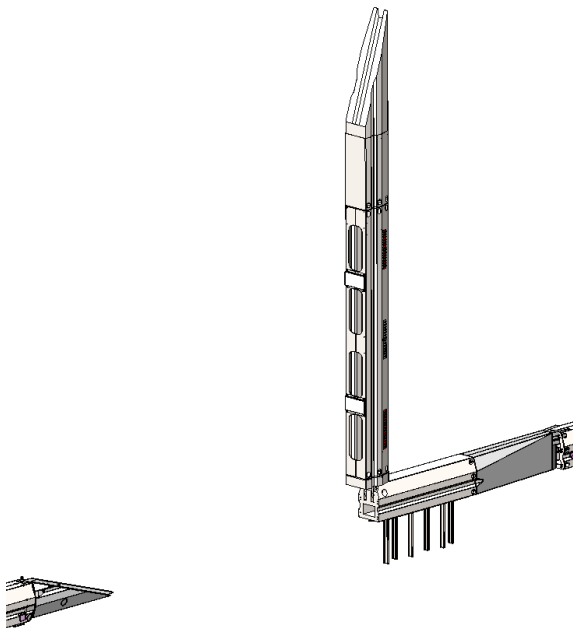
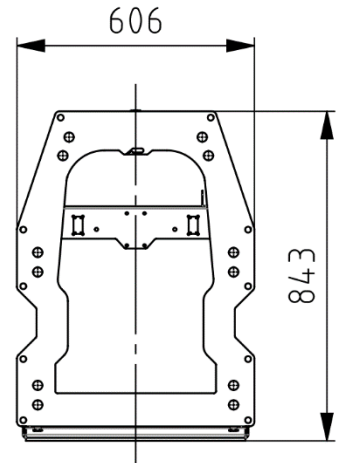
# DynaRise

## Description:

Faster response times for emergency services thanks to the "DynaRise". DynaRise is a vertically opening vehicle restraint system, designed for use on median stripes, for example in front of structures. With a fast opening time of under 1 minute and a passage width of 8 meters, emergency services can quickly change lanes and reach the scene of the incident faster. The DynaRise is operated fully automatically via the control center (optionally also via an app) or locally. In case of malfunction (e.g., power outage), operation of the DynaRise is still ensured by a battery pack. Thanks to the proven DynaWall profile and the sturdy locking mechanism, the system provides containment level H2 (EN1317). DynaRise can be installed individually or in combination with the median stripes crossover "DynaGate".

## Product Data:

- Opening time under 1 minute
- Passage width of 8 meters
- Control via central control system or locally
- Power supply: 32A 400V
- Material: Hot-dip galvanized steel
- Corrosion protection class: C4, optionally C5
- Containment level H2 (EN1317)
- Individual installation or in combination with "DynaGate"
- Optional: Control via app available
- Optional: Uninterruptible Power Supply (UPS)



open

closed